

HP Color LaserJet 4730mfp series



Get the benefit of multiple functions: print, copy, scanning¹, analogue fax² and digital sending³, combining fast speeds in mono and colour with reliable HP LaserJet technology; position the MFP close to your workgroup and see productivity soar.



HP Color LaserJet 4730mfp



HP Color LaserJet 4730x mfp



HP Color LaserJet 4730xs mfp



HP Color LaserJet 4730xm mfp

The HP Color LaserJet 4730mfp is perfect for mid-volume workgroups (from 6 – 15 users) in enterprise environments and workgroups (from 3 – 10 users) in small and medium businesses with IT management, that print A4 documents in mono and colour and need the benefits of multiple functionality to enhance their productivity.

Increase your workgroup's productivity with the high performance HP Color LaserJet 4730mfp.

- Do much more for less by consolidating print, copy, scanning¹ and analogue fax² functionality in one convenient, integrated device.
- Improve efficiency with mono and colour printing and copying at up to 30 ppm, plus colour scanning, standard full-speed two-sided printing and digital sending³.
- Enhance productivity with up to 1,600 sheet input capacity from 100-sheet MP tray and three 500-sheet trays, the ADF holds 50 sheets and up to 700 pages output with the three-bin mailbox⁴.

Get what you really need; plus a low purchase price, reduced operating costs and HP reliability.

- Over 90% of office documents are printed on A4. So why spend twice as much on an A3 device just to cover that extra 10%. The HP Color LaserJet 4730mfp prints and copies A4 and costs substantially less.
- Enjoy better value with a low cost per page for colour and the same mono cost per page as the HP LaserJet 4345mfp.
- Get the benefit of colour with no cost penalty: Colour Access Controls such as colour copy lock-out, tracking and reporting let you choose when and how colour is used.

End users and IT managers alike will find this expandable MFP very easy to use and manage.

- An intuitive touch-screen control panel with an integrated design makes this device very easy to use.
- Enjoy best-in-class networking through the HP Jetdirect Internal Print Server.
- HP Web Jetadmin offers remote installation, configuration and proactive management.
- HP Smart Printing Technology⁵ with new HP ColorSphere Toner ensure quality, consistent results and enable easy supplies management.
- Stapler/stacker⁶ and three-bin mailbox⁴ help meet specific document needs.

¹ Scan-to-email and scan-to-folder.

² Available with HP Color LaserJet 4730x mfp, 4730xs mfp and 4730xm mfp.

³ HP Digital Sending Software 4.0 is optional (not included, sold separately). Software is server-based, server-required. Trial is included.

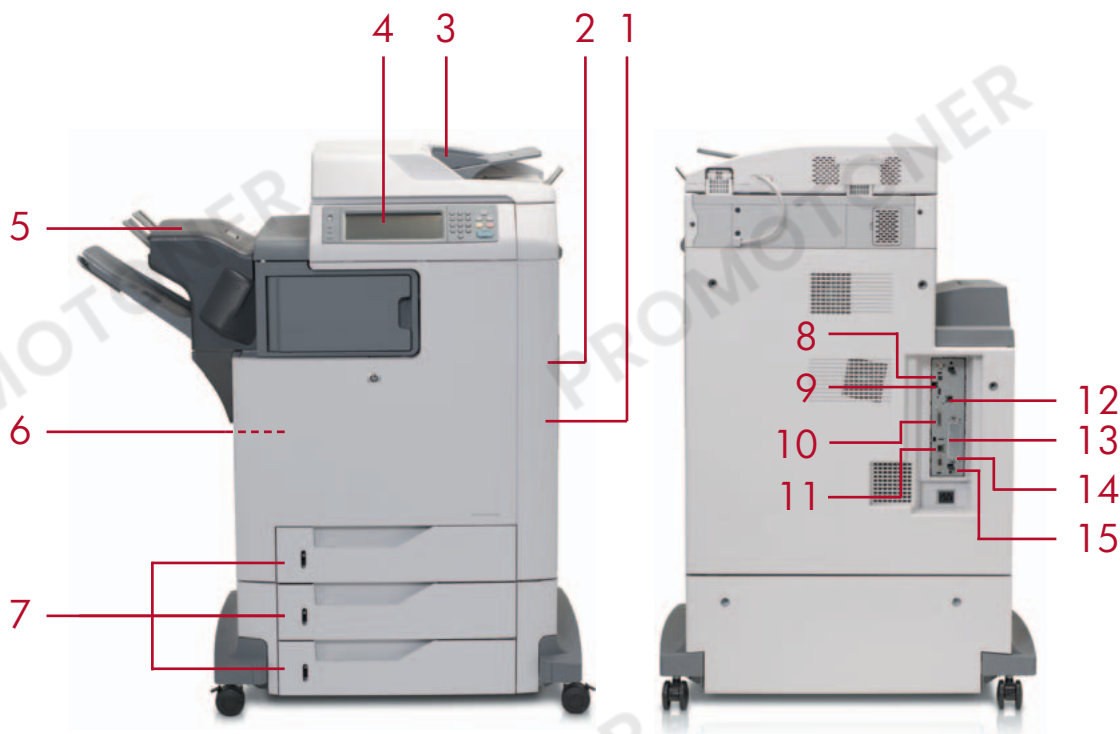
⁴ Three-bin mailbox available with HP Color LaserJet 4730xm mfp only.

⁵ Using genuine HP supplies ensures the availability of all HP printing features.

⁶ Stapler/stacker available with HP Color LaserJet 4730xs mfp only.

HP Color LaserJet 4730mfp series

1. 100-sheet multipurpose tray handles heavy custom media up to 220 g/m²
2. Side door allows convenient access to four, all-in-one HP print cartridges
3. 50-sheet ADF scanner processes two sided documents at full speed
4. Easy-to-use touch-screen control panel with 10-key number pad provides effortless interaction with the MFP
5. 500-sheet stapler/stacker staples up to 30 sheets for instant reports or presentations
6. Full-speed, automatic two-sided printing
7. Three adjustable 500-sheet input trays support paper up to 120 g/m²
8. Foreign interface harness for third-party paper-handling solutions
9. Host and device Hi-Speed USB 2.0 ports
10. IEEE-1284 C parallel port
11. HP Jetdirect Fast Ethernet embedded print server
12. RJ-11 fax port
13. One open EIO slot to add even more functionality, including Apple networking
14. 40 GB HP high-performance embedded hard disk
15. 320 MB total memory quickly and easily handles complex print jobs



HP Color LaserJet 4730xs mfp
front view

HP Color LaserJet 4730x mfp
rear view

Series at a glance



HP Color LaserJet 4730mfp [Q7517A]

Printer, power cord, control panel overlay, four print cartridges (one each: black, cyan, magenta, yellow), software drivers and documentation on CD-ROM, information and training CD, in-box documentation (getting started guide, walk up wall poster, telephone support flyer) plus:

- 100-sheet multipurpose tray and three 500-sheet input trays for 1600-sheet capacity
- 500-sheet output bin



HP Color LaserJet 4730x mfp [Q7518A]

Base model plus:

- HP LaserJet MFP Analog Fax Accessory 300



HP Color LaserJet 4730xs mfp [Q7519A]

Base model plus:

- 500-sheet stapler/stacker with transfer unit (IPTU)
- HP LaserJet MFP Analog Fax Accessory 300



HP Color LaserJet 4730xm mfp [Q7520A]

Base model plus:

- 700-sheet 3-bin mailbox with transfer unit (IPTU)
- HP LaserJet MFP Analog Fax Accessory 300

Get versatile, efficient, and reliable document creation for the office.

Lasting value

This is what the HP Color LaserJet 4730mfp delivers over time. Your investment is secure because you combine a low purchase price with significant cost savings, achieved by increasing efficiency and productivity.

Do more with a rich set of features on one device. The right paper-handling capabilities for general office enable local document production, eliminating the costs associated with centralised printing. It supports two output accessories: a stapler/stacker that can staple up to 30 pages at once and stack up to 500 pages of output, and a three-bin mailbox that can handle separate functions such as print, copy, and fax, be assigned as user mailboxes, and stack up to 700 pages of output.

Standard features include a 40 GB hard disk, automatic duplexing which saves time, effort and paper; a 1600-sheet input capacity which means fewer interruptions; plus the convenience of scan-to-email, scan-to-folder and colour scanning.

Reliability saves money. Hewlett-Packard has consistently received awards for outstanding service and reliability. This level of reliability is a major factor behind enhanced user productivity and low total cost of ownership.

Low cost per colour page. Colour printing becomes affordable with this MFP which offers a lower colour cost per page than colour capable devices, and still has the same mono cost per page as the mono HP LaserJet 4345mfp.

HP Jetdirect

Get the benefit of reliable sharing and simple network management tools. The HP Color LaserJet 4730mfp features best-in-class networking through the HP Jetdirect Internal Print Server. Anyone on the network can transfer information quickly and reliably for increased workgroup and IT efficiency. The HP Embedded Web Server performs remote diagnostics, sends e-mail alerts, and provides job tracking and accounting. It also makes it possible to see the status of supplies and plays a valuable role in the reorder process. HP Web Jetadmin offers remote installation, configuration, and proactive management.

Colour Access Controls

Now you can enjoy all the advantages of colour without incurring unnecessary expense. Colour Access Controls help you protect your investment, while still reaping the benefits of printing in colour when you need to. Colour copy lockout allows IT to protect the device as a mono-only copier, so you can control when and how colour is used in your workgroup. Or you can simply use the HP Driver Preconfiguration Tool to download a mono-only print driver for end users who will only be permitted to print in black. Web Jetadmin can also be used to track colour usage and supply customised reports detailing usage by application, user or specific jobs. This enables you to save money and still create eye-catching colour documents when you need them.

The HP Smart supplies advantage

HP Smart Printing Technology¹ in both HP printing supplies and the HP Color LaserJet 4730mfp work together with new HP ColorSphere Toner to make automatic adjustments that optimise print quality for reliable, consistent results every time you print. Remote troubleshooting, print job tracking and proactive alerts on low print cartridges make HP supplies easy to manage and replace. Convenient, online ordering through HP SureSupply² simplifies inventory management.

Peace of mind with extra security options

HP Secure Erase provides a choice of three different modes of disk erase security, each of which can be configured by an administrator and may be protected from unauthorised changes with a password.

Embedded LDAP authentication with SSL encryption is designed for workgroups and departments with distributed environments. This provides an easy to use, easy to manage solution for customers requiring network security to verify user identity.

There is also a Secure Fax feature which offers two settings, Fax Forwarding and Schedule Printing of Faxes which both require a PIN to access them.

¹ Using genuine HP supplies ensures the availability of all HP printing features.

² Programme features and availability may vary by country. For more information, visit www.hp.com/learn/suresupply

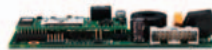
Add the following optional components and build an MFP to meet the needs of your business.



(Q5691A)³
Stapler/stacker – staple up to 30 pages; stack up to 500 sheets



(Q5692A)⁴
700-sheet 3-bin mailbox – assign to individuals or device functions



(Q3701A)
HP LaserJet MFP Analog Fax Accessory 300 – advanced business fax features



(e.g. Q2627A)
Add up to 512 MB of memory



(T1936AA)
HP Digital Sending Software 4.0 – integrate paperwork into electronic workflows



(J6072A)
HP bt1300 Bluetooth[®] Wireless Printer Adapter⁵ – print from mobile phones or PDAs

³ Transfer unit required when adding Stapler/stacker accessory to base or X model (for Stapler/stacker plus transfer unit please order Q7521A).

⁴ Transfer unit required when adding 3-bin Mailbox accessory to base or X model (for 3-bin Mailbox plus transfer unit please order Q7523A).

⁵ For more information and a list of supported phones and other devices, go to www.hp.com/support/bluetoothprinteradapter.

Technical specifications

Print speed	Up to 30 ppm. First page out colour: < 11 sec Exact speed varies depending on the system configuration, software program and document complexity.		
Processor	533 MHz, MIPS 20KC		
Memory	Standard: 256 MB, expandable to 576 MB through 1 available DIMM slot, 2 available slots for font cards or third party solutions using Memory Enhancement technology (MET), maximum: 512 MB. Memory slots: 2 industry-standard 200-pin dual-data-rate (DDR) SDRAM small-outline DIMM slots (one open), 3 flash memory card slots (two open)		
Print	Technology:	Laser	
	Resolution:	Up to 600 x 600 dpi	
	Economical printing:	Economode (saves up to 50% toner from 600 dpi), immediate return to Powersafe mode	
	Languages:	HP PCL 6, HP PCL 5c, HP Postscript Level 3 Emulation, direct PDF printing (v 1.4), PML (Printer Management Language)	
	Typefaces/fonts:	80 scalable TrueType fonts	
	Duty cycle:	Up to 175,000 pages per month; recommended AMVP (average monthly volume pages): 5,000 – 9,000 pages per month	
	Margins:	Left: 4.2 mm; top: 4.2 mm; right: 4.2 mm; bottom: 4.2 mm	
Fax	Telecom:	TBR21:1998; EG 201 121:1998, FCC Part 68	
	Resolution:	Standard: 200 x 100 dpi; fine: 200 x 200 dpi; superfine: 300 x 300 dpi	
Scan	Type:	Flatbed, ADF	Bit depth: 30-bit
	Levels of grey:	256	
	Resolution:	Up to 600 dpi, 600 x 600 dpi (scanner); 600 x 300 dpi (adf)	
	Scannable area:		
	Minimum document size:	14.8 x 12.7 cm (from ADF)	
	Maximum media size:	21.6 x 29.7 cm (from flatbed), 21.6 x 35.6 mm (from ADF)	
	Margins:	Left: 4.2 mm; top: 4.2 mm; right: 4.2 mm; bottom: 4.2 mm	
Copy	Speed:	Up to 30 cpm	Resolution: 600 x 600 dpi
	Multiple copies:	1-999	Reduce/enlarge: 25 to 400%
Media handling/input	Input	Capacity	Weight
	Tray 1	Sheets: 100, transparencies: 100, envelopes: 20	60 to 220 g/m ²
	Tray 2,3,4	Sheets: 500	60 to 120 g/m ²
	Duplex printing:	Two sided printing capability: Automatic (standard)	
Maximum print area	205.9 x 345.6 mm		
Media handling/output (up to #)	Sheets: HP Color LaserJet 4730/x/s mfp: 500, HP Color LaserJet 4730xm mfp: 700; envelopes: 20, transparencies: 500		
Interface and connectivity	Standard: Bidirectional IEEE 1284C-compliant parallel port, USB 2.0 port, Host USB accessory port, network connection (HP Jetdirect Fast Ethernet Embedded Print Server), 1 open EIO slot, auxiliary accessory port for third-party paper handling solutions, Foreign Interface Harness (FIH) connector, fax interface port Optional: HP Jetdirect internal and external print servers, HP wireless print servers, Bluetooth wireless printer adapter		
Operating systems compatibility	Windows® 98, 2000, Me, XP Home, XP Professional, Server 2003; Mac OS 9.x and higher; Mac OS X 10.1 or higher OS/2, UNIX, Linux, HP OpenVMS Recent printer drivers and software for all supported operating systems are available at http://www.hp.com/support/clj4730mfp . If no access to the Internet, see the support flyer that came in the box with the MFP		
Network operating systems compatibility	Supported: Windows NT® 4.0, 98, 2000, Me, XP Home, XP Professional, XP 64-bit, Server 2003; Novell™ NetWare 3.2, 4.2, 5.x, 6.x (NDPS); Mac OS 8.6 or higher; Red Hat Linux 6.x, 7.x; SuSE Linux 6.x; HP-UX 10.20, 11.x; Solaris 2.5x, 2.6, 7, 8 (SPARC systems only); IBM® AIX 3.2.5 or higher; MPE-iX; Citrix MetaFrame; Windows Terminal Services Optional: Windows® 98, 2000, ME, XP Home, XP Professional, Server 2003; Mac OS 9.x; Mac OS X		
Minimum system requirements	Pentium® 90, 16 MB RAM (Windows 98); 133 MHz processor, 64 MB RAM (Windows® 2000); 233 MHz processor, 64 MB RAM (Windows XP Home, XP Professional); Pentium 150, 32 MB RAM (Windows Me); 550 MHz processor, 128 MB RAM (Windows Server 2003); 220 MB of free hard disk space for Windows, CD-ROM drive or Internet connection, IEEE 1284-compliant bidirectional parallel port, USB 1.1 port, USB 2.0 port Macintosh: Mac OS 9.x, Mac OS X v 10.1 or higher, 160 MB available hard disk space, CD-ROM drive, USB port		
Standard software	Print drivers and installation software on CD-ROM (HP PCL 6, HP PCL 5c, HP Postscript Level 3 Emulation, HP LaserJet Utility, Macintosh software, PostScript Printer Description)		
Control panel	6 front-panel buttons (Sleep, Menu, Status, Stop, Reset, Start), 3 LED status lights (Attention, Data, Ready), touch screen graphical display, numeric keypad		
Printer management	HP Embedded Web Server, HP Web Jetadmin, HP Easy Printer Care Software (Web only), HP LaserJet Utility		
Power requirements	Input voltage 115 to 127 VAC (± 10%), 50/60 Hz (± 2 Hz); 220 to 240 VAC (± 10%), 50/60 Hz (± 2 Hz)		
Power consumption	0.5 watts (off), up to 24/25 watts (sleep), up to 604/626 watts (active)		
Dimensions (w x d x h) (Out of package/packaged)	HP Color LaserJet 4730/x mfp: 788 x 639 x 1153 mm/900 x 812 x 1518; HP Color LaserJet 4730xs/xm mfp: 1106 x 639 x 1153 mm/900 x 812 x 1636		
Weight	Out of package: HP Color LaserJet 4730/xmfp: 124 kg; HP Color LaserJet 4730xs/xm mfp: 136 kg		
Operating environment	Environmental ranges: Operating temperature: 10 to 30° C, operating humidity: 10 to 80% RH, recommended operating humidity: 30 to 70% RH, recommended operating temperature: 17 to 25° C, storage temperature: 20 to 40° C, storage humidity: 10 to 90% RH. Noise level per ISO 9296, sound power LwAd: 6.7 B(A), operating position LpAm: 50dB(A)		
Safety	Czech Republic (CSN-IEC 60950-IEC 60825-1), Estonia (EEI-EN60950-IEC 60825-1), EU (CE Mark/Low Voltage Directive 73/23/EEC), Germany (TÜV-EN60950-IEC 60825-1), Hungary (MEE-IEC 60950-IEC 60825-1), Lithuania (LS-IEC 60950-IEC 60825-1), Russia (GOST-R50377), Slovakia (IEC 60950-IEC60825-1), Slovenia (SQI-IEC 60950-EN60825-1), South Africa (IEC 60950-IEC60825-1)		
Certifications	CISPR 22:1993 / EN 55022:1994 Class A, EN 61000-3-2:2000, EN 61000-3-3:1995, EN 55024:1998, FCC Title 47 CFR, Part 15 Class B / ICES-003, Issue 4 / GB9254-1998, GB17625.1-2003, EMC Directive 89/336/EEC and the Low Voltage Directive 73/23/EEC, and carries the CE-Marking accordingly. Energy Star®		
Warranty	One-year, on-site limited warranty		

Ordering information

Q7517A	HP Color LaserJet 4730mfp
Q7518A	HP Color LaserJet 4730x mfp
Q7519A	HP Color LaserJet 4730xs mfp
Q7520A	HP Color LaserJet 4730xm mfp
Memory	
Q7721A	HP 128 MB 200-pin DDR DIMM
Q7723A	HP 512 MB 200-pin DDR DIMM
Accessories and software	
Q3701A	HP LaserJet MFP Analog Fax Accessory 300
Q7521A	HP Stapler/stacker & Transfer Unit
Q7523A	HP 3-bin Mailbox & Transfer Unit
T1936AA	HP Digital Sending Software 4.0
T1943AA	HP AutoStore
Supplies	
Q6496A	HP ADF replacement Mylar sheets (package of 3)
C8091A	HP Staple cartridge, 5,000 staples
Q6460A	HP Color LaserJet Black Print Cartridge ¹
Q6461A	HP Color LaserJet Cyan Print Cartridge ¹
Q6462A	HP Color LaserJet Yellow Print Cartridge ¹
Q6463A	HP Color LaserJet Magenta Print Cartridge ¹
¹ Up to 12,000 standard pages in accordance with ISO/IEC 19752	
Maintenance kits	
Q5997A	ADF maintenance kit
Q7504A	Image Transfer Kit
Q7503A	Image Fuser Kit (220V)
Q7502A	Image Fuser Kit (110V)
Connectivity	
J7961A	HP Jetdirect 635n IPv6/IPSec and Gigabit Ethernet Internal Print Server
J7951A	HP Jetdirect ew2400 802.11g Wireless & Fast Ethernet External Print Server
Service & support	
HC113A/E	Next business day on site, 3 years
HC119A/E	On site response within 4 hours, 3 years
HC755PA/PE	Post warranty, next business day on site, 1 year
HC757PA/PE	Post warranty, on site response within 4 hours, 1 year
U2010A/E	Installation & network configuration

<http://www.hp.com>

For more information, please call your local HP sales office or representative: **Albania:** +49 89 9396 1803; **Algeria:** +213 (0) 61 56 45 43; **Austria:** +43 (0) 810 00 60 80; **Bahrain:** 800 171; **Belgium:** +32 (0) 279 71 11; **Bulgaria:** +359 2 960 19 40; **Bosnia-Herzegovina:** +49 89 9396 1803; **Commonwealth of Independent States (CIS):** +(095) 923 50 01; **Croatia:** +385 1 606 02 00; **Czech Republic:** +420 261 10 81 11; **Denmark:** +45 99 10 00; **Egypt:** HP +202 345 13 52 or CPQ +202 792 50 70; **Estonia:** +372 6 813 820; **Finland:** HP Myyntipalvelu 010 217 2700; **France:** +33 (0) 826 800 400; **Germany:** +49 0180 532 62 22; **Greece:** +30 801 11 22 55 47; **HP East Africa:** Authorized Consultant: +254 20 271 6111; **Hungary:** +36 (1) 382 11 11; **Iceland:** +354 (1) 67 10 00; **Ireland:** +353 1 615 82 48; **Israel:** +972 9 830 48 48; **Italy:** Personal computer, Server Intel e periferiche +39 02 92607 330, Server e workstation UNIX, Storage, OpenView +39 02 92607 322; **Kazakhstan & Kyrgyzstan:** +7 327 2 58 43 43; **Latvia:** +371 703 07 00; **Lithuania:** +370 5 2103 300; **Macedonia:** +49 89 9396 1803; **Malta:** +49 89 9396 1803; **Middle East (Within UAE Toll Free):** 800 45 20; **Moldova:** +49 89 9396 1803; **Morocco (African Region):** Call Centre +212 22 40 47 47, HP Sale Office +212 22 97 37 37; **Netherlands:** +31 (30) 222 2000; **Nigeria:** +234 1 26 26 720 / 1; **Norway:** +47 24 09 70 00; **Poland:** 0 801 522 622 and/or 00 48 565 77 00; **Portugal:** +351 (1) 301 73 43; **Romania:** +40 (21) 303 83 00; **RSA:** +0800 11 88 83; **Russia:** +7 095 797 37 97; **Slovenia:** +386 1 230 74 20; **Slovakia:** 0800 147 147; **Saudi Arabia:** +800 897 14 33; **Serbia and Montenegro:** +381 11 201 99 00; **South Africa:** 0800 11 88 83; **Spain:** +34 (91) 631 16 00; **Sweden:** +46 200 27 00 00; **Switzerland:** Pre-sales/product information +41 (0) 848 88 44 66, Spare parts, manuals +41 (0) 848 84 74 64; **Tunisia:** +216 1 89 12 22; **Turkey:** +90 (216) 579 79 00; **UAE (Toll Free):** 800 45 20; **United Kingdom:** HP Teleweb Glasgow +44 (0) 845 270 40 00; **Ukraine:** +380 44 490 61 20.



©2005 Hewlett-Packard Development Company, L.P. The information contained herein is subject to change without notice. The only warranties for HP Products and services are set forth in the express warranty statements accompanying such products and services. Nothing herein should be construed as constituting an additional warranty. HP shall not be liable for technical or editorial errors or omissions contained herein.

Published in EMEA 07/05 5983-2741 EEE

